

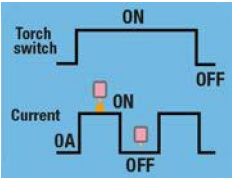
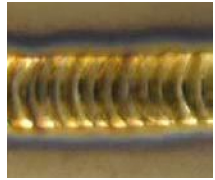


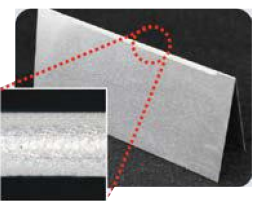
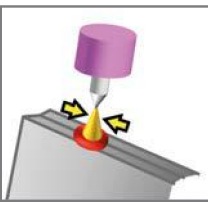


- Improvement of the welding quality due to a variety of functions
- Current regulation via a torch switch
- Improved welding of thin sheet through “Silent Pulse” - function
- High concentrated welding arc improves the welding of butt - joint and cold arc applications
- Excellent arc start characteristics by high frequency or lift-start
- Control panel protected against accidental impact
- Applicable Fields: Chemical Industry, Pressure Vessels, Automotive, Motorcycles etc.
- Applicable Materials: Aluminium, Stainless Steel, Mild Steel, Titanium, Magnesium, Copper etc.

Power TIG WB 350 AC DC Pulse	AC TIG Welding	DC TIG Welding
Number of phases	Three phases	
Rated frequency	50/60Hz	
Rated input voltage	400V	
Input voltage range	400V ±15%	
Rated input	12,7kVA	12,2kVA
Rated input current	18,5A	19,0A
Rated output current	350A	350A
Rated output voltage	24V	24V
Rated output current range	5 / to 350A	1 / to 350A
Maximum no-load voltage	74V	
Rated duty cycle	60%	
Number of welding condition	100	
Operating temperature range	-10 / to 40°C	
Operating humidity range	50% at 40°C / 90% at 20°C	
Storage temperature range	-20 to 55°C	
Storage humidity range	50% at 40°C / 90% at 20°C	
External dimensions (WxDxH)	395mm x 710mm x 592mm	
Mass	68kg	
Static characteristic	CC	
Starting method	HF Start / Lift start	
Rated peak voltage (High frequency start circuit)	11,1kV	

Highest AC Arc Concentration

AC Arc Welding		TIG interval function	
Standart TIG	WB 350 AC DC Pulse	Automatic ON/OFF arc function to control the heat input.	Base metal: 1.4301 (AISI 304) Thickness: 1.0mm Welding current: DC 20A Arc ON/OFF time: 1 s/ 1.5 s
			
AC Frequency 70Hz	AC Frequency 500Hz		

Stabile welding of very thin plates	Concentrated arc	
Base metal: Pure aluminium Thickness: 0.2mm Current: AC 5A AC frequency: 500Hz		

This Order Code Covers The Welding Machine and All of The Equipments 3021000120 Air Cooled 3021000111 Water Cooled								
	1021000091	6051900083	2020900660	1051300003	1045000000 (Optional)	2020900174	6051900076 (Optional)	6051300053 (Optional)